



ENAPART



93 S Railroad Avenue Unit C
Bergenfield NJ 07621 USA
www.enapart.com
sales@enapart.com



Via del Canneto 35,
Borgosatollo, Brescia - Italia
www.enapart.it
vendite@enapart.it



Barbaros Mah. Ihlamur Bul. Aĝaoĝlu
My Newwork No:3/15 Ataşehir / İstanbul
www.enapart.net
satis@enapart.net



PRIVADA 10 B SUR #3908 COL.
ANZUREZ, C.P. 72530, PUEBLA, PUE
www.enapart.com.mx
sales@enapart.com.mx



Friedrich-Ebert-Anlage 36, 60325
Frankfurt am Main, Germany
www.enapart.de
anfrage@enapart.de



4 boulevard Carnot, 95400
villiers-le-bel, Paris, France
www.enapart.fr
sales@enapart.fr



65049, ОДЕСА, ВУЛИЦЯ ІВАНА
ФРАНКА, БУДИНОК 55, ПОВЕРХ 3
www.enapart.com.ua
sales@enapart.com.ua



MUNICIPIUL BUCUREȘTI, SECTOR 3,
B-DUL BASARABIA, NR.250, CORP P+5
www.enapart.ro
sales@enapart.ro



〒584-0023 大阪府富田林市若松町
東2丁目2番16号
www.enapart.co.jp
sales@enapart.co.jp



PLAZA NUESTRA SEÑORA DE LAS
NIEVES 12 ,LOCAL ,50012,ZARAGOZA
www.enapart.es
ventas@enapart.es



Складова база „Онгъл“, Склад А2, п.к.
4006, гр. Пловдив, България
www.enapart.bg
sales@enapart.bg



3 Austin Mews, High Street, Hemel
Hempstead, HP1 3AF , United Kingdom
www.enapart.co.uk
sales@enapart.co.uk



Rotary Paddle Level Switch



INTRODUCTION

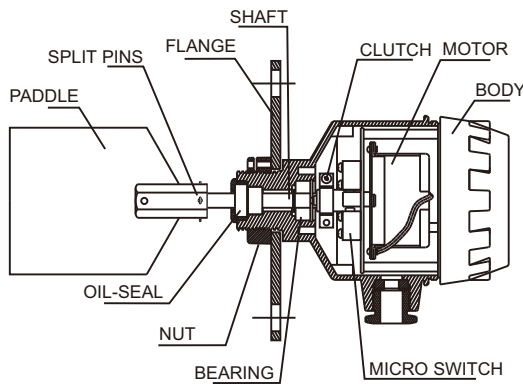
WORKING PRINCIPLE

The purpose of the rotary paddle level switch is to detect the presence of solid/powdery material in most kinds of tanks, bins and containers. The unit is usually located through a bin wall at the top, middle or low level of a bin. During normal operation (no material present) a synchronous motor rotates the paddle at RPM. When this paddle rotation is impeded by material, surrounding the paddle, motor will stall and cause the Micro-switch to change state (indicating an alarm or control).

APPLICATIONS

- Plastics and synthetics
- Chemicals and fertilizer
- Pharmaceuticals
- Food and beverage,
- Agriculture and fodder mills/depots
- Cement as well as ceramics
- Power plants
- Various incinerators

STRUCTURE



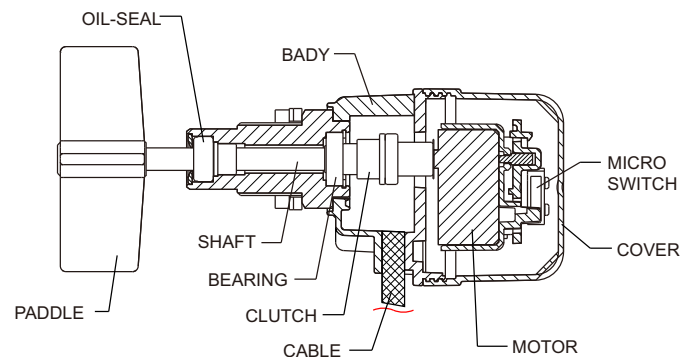
STANDARD TYPE SE1

FEATURES

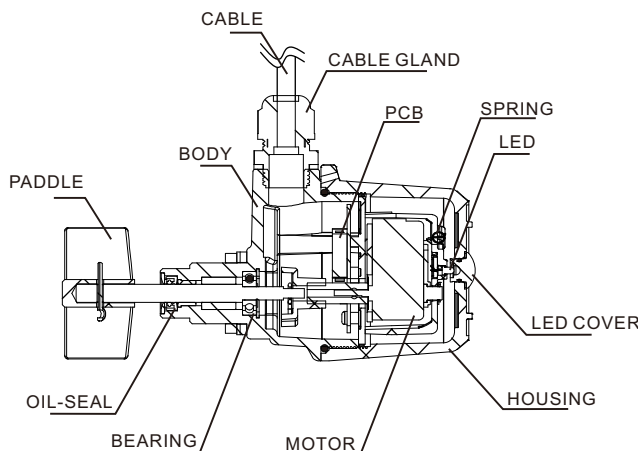
- Rugged sealing ring prevents dust from infiltrating the housing body along the shaft.
- Adjustable torque.
If the rotary paddle encounters overloading, the motor will automatically shut down the motor to prevent damage to the inner mechanisms and extend motor life.
- Very suitable for small tanks and low density materials
- Adjustable and extendible shaft models available
- A wide variety of paddles are available

BENEFITS

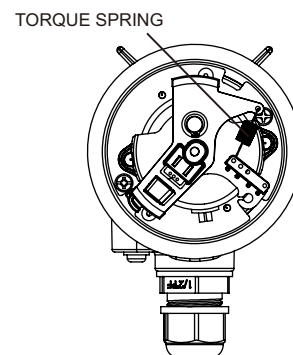
- Airtight sealed device.
- Outdoor and strenuous environment application
- Stable and reliable performance.
- Lightweight and easy to install
- Practically designed to allow maintenance, checks and replacement
- Not necessary to remove the complete set from the tank.



MINI TYPE SE2



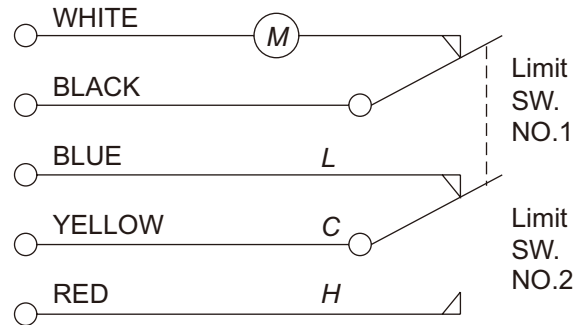
MINI TYPE SE3



WORKING PRINCIPLE & TORQUE ADJUSTING

CONTROL SWITCH WORKING PRINCIPLE

1. A synchronous turning motor indicates the tank or container's material isn't obstructing the paddles, C & L [COM & NC] are connected.
2. When the material is obstructing the paddles, C&L [COM & NC] are disconnected, C&H [COM & NO] are connected and the motor's current is cut off.
3. When the material drops away from the paddles and the motor starts again C & L [COM & NC] connect and the cycle has begun once again.



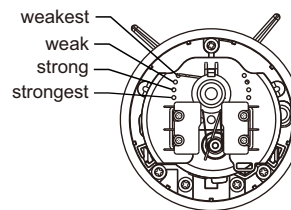
TORQUE ADJUSTING MECHANISM AND WIRING

The torque spring is applied to adjust the shaft output torque. Default settings are "weak" and can be adjusted to the customer's target based on the tank contents and S.G. (special gravity) of the material.

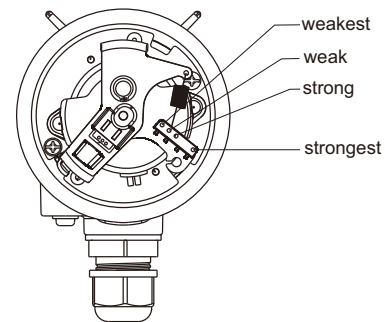
Higher S.G. materials require stronger torque settings. Start with high settings and slowly release the torque force until the appropriate setting is found.

- Do not tamper with the spring as it may cause the Rotary Paddle to malfunction.

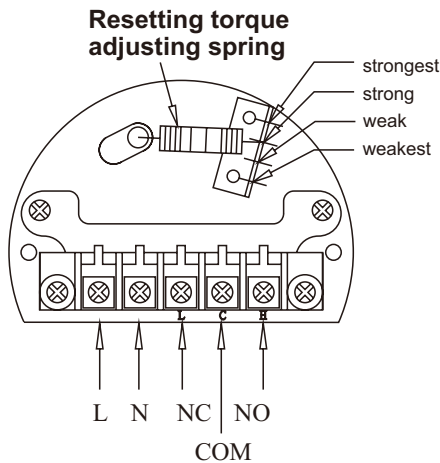
Spring adjusting hole



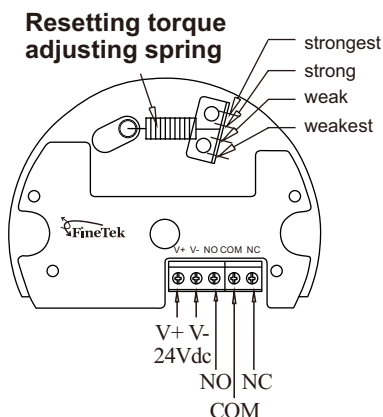
SE29



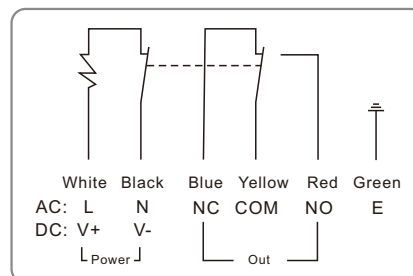
SE38



Available: SE1 (A,B,C,D)



Available: SE1(E)



Available: SE2/SE3

STANDARD TYPE

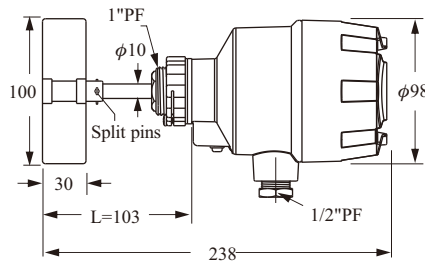
- **Power source** : (A)110Vac,(B)220Vac,(C)240Vac, (D)24Vac, 50/60Hz (E)24Vdc
- **Power consumption** : 3W
- **Contact capacity** : SPDT, 5A/250Vac
- **Rotary speed** : 1 R.P.M.
- **Insulation test voltage** : 2500V
- **Connection** : 1"PF screw or JIS 2-1/2" x 5kg/cm² flange
- **Protection/ material** : IP65 / ADC-12
- **Conduit** : 1/2"PF
- **Material density** : 0.5 g/cm³

SCREW TYPE

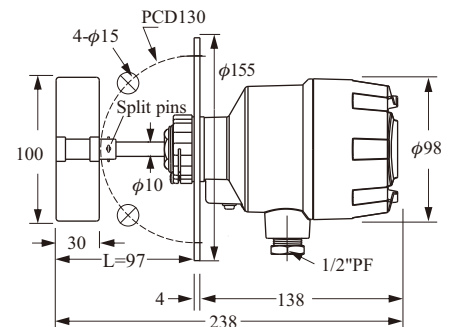
SE110 Series

- Horizontal mounting
- Operation Temperature (-20°C ~ 70°C)
- Weight: 1.2 kg

SE110 Series



SE111 Series



FLANGE TYPE

SE111 Series

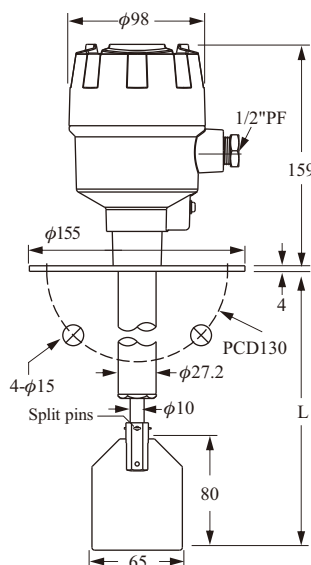
- Horizontal mounting
- Operation Temperature (-20°C ~ 70°C)
- Weight: 1.7 kg

SHAFT PROTECTIVE TUBE TYPE

SE120 Series

- Horizontal /Vertical mounting
- Operation Temperature (-20°C ~ 70°C)
- Weight: 1.2 kg
- Standard Length:
 - L--250mm (2.2 kg)
 - L--500mm (2.5 kg)
 - L--750mm (2.8 kg)
- Customized lengths available

SE120 Series

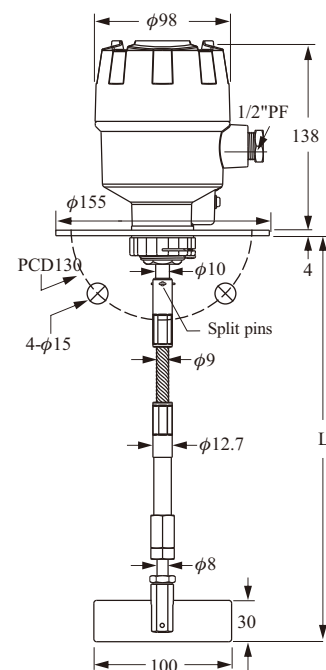


SE130 Series

SHAFT LENGTH ADJUSTABLE TYPE

SE130 Series

- Vertical mounting
- Operation Temperature (-20°C ~ 70°C)
- Standard Length:
 - L- 460~630mm (2.5 kg)
 - L- 650~1000mm (2.8 kg)
 - L- 750~1200mm (3.0 kg)
- Customized lengths available



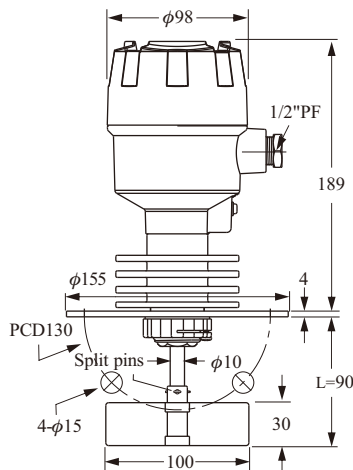
STANDARD TYPE

HI-TEMP TYPE

SE140 Series

- Horizontal mounting
- Temp. (-20°C ~ 200°C)
- Weight: 2.1 kg

SE140 Series



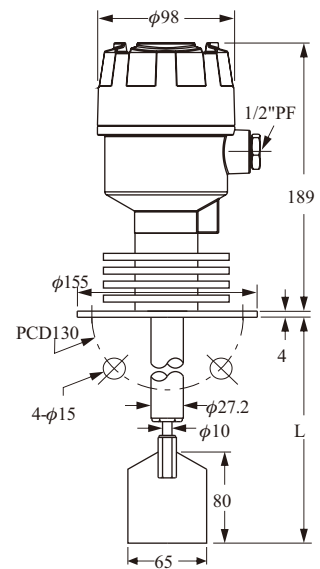
SE141 Series

HI-TEMP TYPE

PROTECTIVE TUBE TYPE

SE141 Series

- Horizontal /Vertical mounting
- Operation Temperature (-20°C ~ 200°C)
- Standard Length (option):
 - L--250mm (2.6 kg)
 - L--500mm (2.9 kg)
 - L--750mm (3.2 kg)
- Special length is made by order



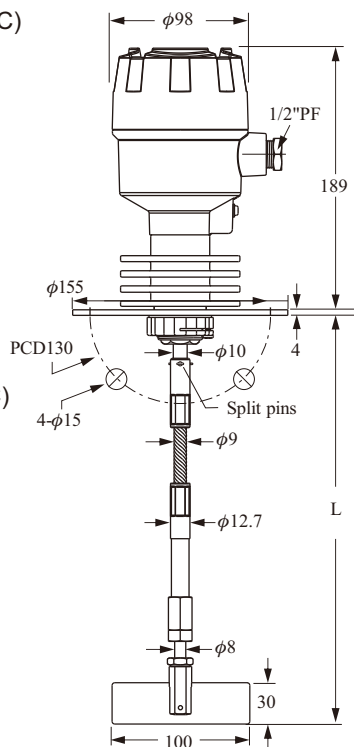
HI-TEMP SHAFT

LENGTH ADJUSTABLE TYPE

SE146 Series

- Vertical mounting
- Operation Temperature (-20°C ~ 200°C)
- Standard Length (option):
 - L- 450~630mm (3 kg)
 - L- 650~1000mm (3.3 kg)
 - L- 750~1200mm (3.5 kg)
- Special length is made by order

SE146 Series

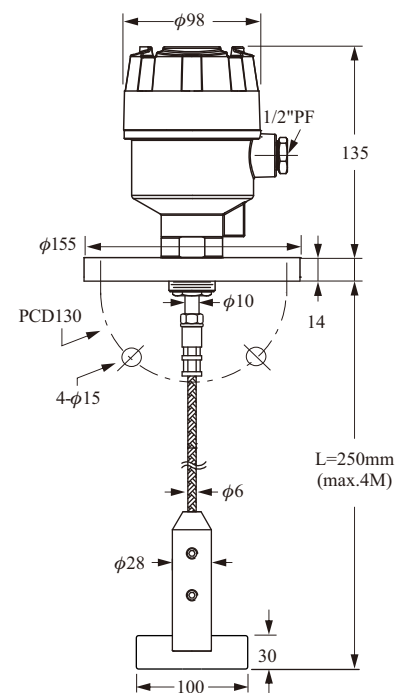


SE160 Series

CABLE WIRE TYPE

SE160 Series

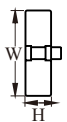
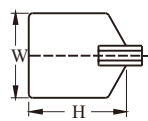
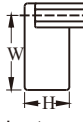
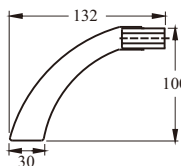
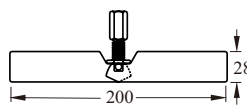
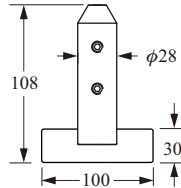
- Vertical mounting
- Operation Temperature (-20°C ~ 70°C)
- Standard Length (option):
 - L-- 450mm (2.5 kg)
 - L-- 650mm (2.8 kg)
 - L-- 750mm (3 kg)
- Special length is made by order



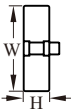
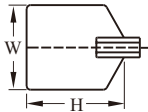
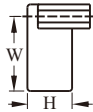
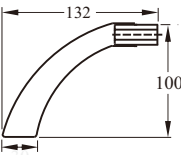
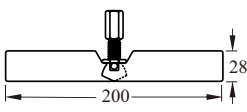
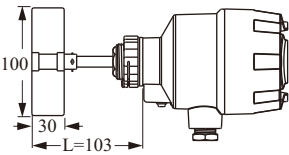
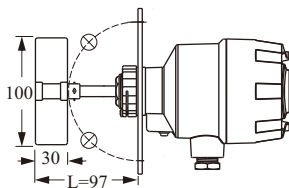
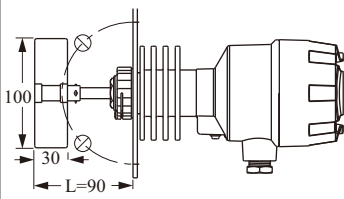
MODEL NUMBER / ORDER CODE COMPARISON TABLE

Model Number	Order Code
SE110	SEX50000-AA
SE111	
SE120	SEX50000-AB
SE130	SEX50000-AC
SE140	SEX50200-AA
SE141	SEX50200-AB
SE146	SEX50200-AC
SE160	SEX50000-AD

New / Old paddle model comparison table

New	Figure	Dimension(WxH)	Old
B	 <p>Rectangular shaped type</p>	100x30	A
C	 <p>Shovel shaped type</p>	65x80	B
D		65x120	C
E		80x80	D
F	 <p>Rectangular type, one sided</p>	50x30	E
G	 <p>Scimitar shaped type</p>	132x100	F
H	 <p>Hinged type</p>	200x28 Ex d IIC	J
K	 <p>Weights type</p>	100x108	X

PROBE LENGTH LIST FOR STANDARD TYPE (WITH DIFFERENT PADDLES)

						
Rectangular shaped type 100x30	Shovel shaped type			Rectangular type, one sided 50x30	Scimitar shaped type 132x100	Hinged type 200x28
	65x80	65x120	80x80			
SE110 	L=155	L=195	L=155	L=107	L=195	L=127
SE111 	L=149	L=189	L=149	L=101	L=189	L=121
SE140 	L=142	L=182	L=142	L=94	L=182	L=114

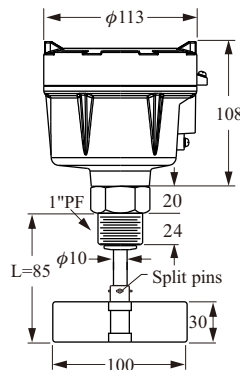
EXPLOSION PROOF TYPE

- **Power source** : (A)110Vac, (B)220Vac, (C)240Vac
(D)24Vac, 50/60Hz
- **Power consumption** : 3W
- **Contact capacity** : SPDT, 3A/250Vac
- **Rotary speed** : 1 R.P.M.
- **Insulation test voltage** : AC 1500V × 1minute

- **Connect** : 1"PF screw or flange 1"~6"
2-1/2" × 5kg/cm² (std.)
- **Housing material** : AL Alloy, ADC-12
- **Conduit** : 1/2" (std.) or 3/4"NPT
- **Material density** : 0.5 g/cm³

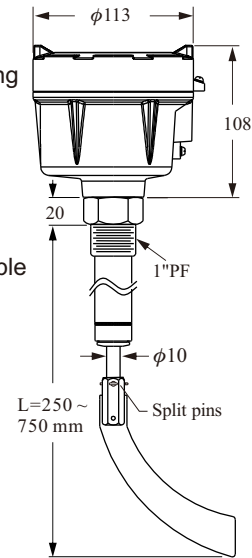
EXPLOSION PROOF CONNECTION TYPE SE170 series

- Horizontal mounting
- Temp. (-20°C ~ 70°C)



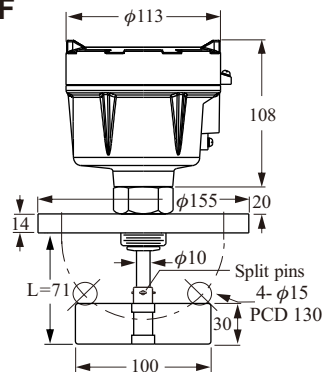
EXPLOSION PROOF SHAFT PROTECTION TYPE SE172 series

- Horizontal /Vertical mounting
- Temp. (-20°C ~ 70°C)
- Standard Length (option):
L-- 250mm
L-- 500mm
L-- 750mm
- Customized lengths available



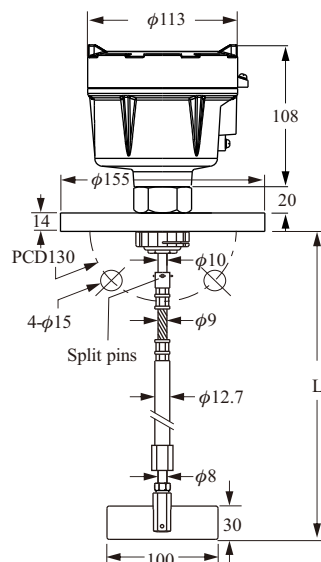
EXPLOSION PROOF FLANGE TYPE SE171 series

- Horizontal mounting
- Temp. (-20°C ~ 70°C)



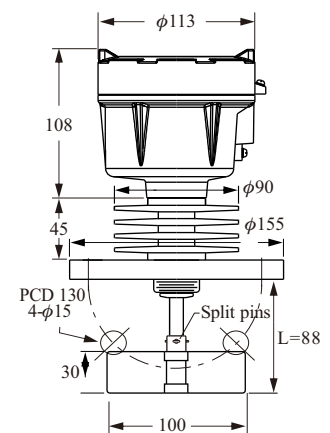
EXPLOSION PROOF ADJUSTABLE SHAFT TYPE SE173 series

- Vertical mounting
- Temp. (-20°C ~ 70°C)
- Standard Length (option):
L-- 450 ~630mm
L-- 650 ~1000mm
L-- 750 ~1200mm
- Special length is made by order



EXPLOSION PROOF HI-TEMP TYPE SE174 series

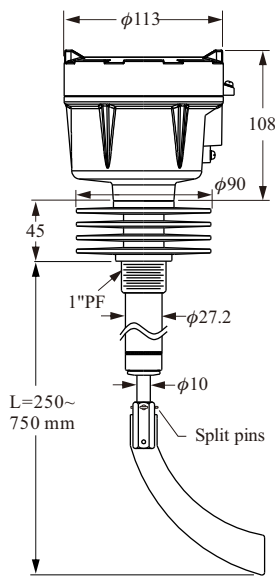
- Horizontal mounting
- Temp. (-20°C ~ 190°C)



EXPLOSION PROOF TYPE

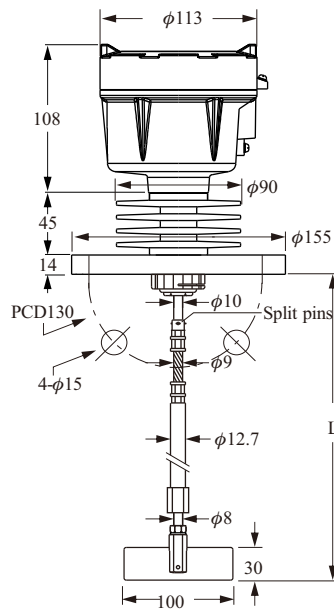
EXPLOSION PROOF HI-TEMP SHAFT PROTECTIVE TUBE TYPE SE175 Series

- Horizontal /Vertical mounting
- Temp. (-20°C ~ 190°C)
- Special length is made by order



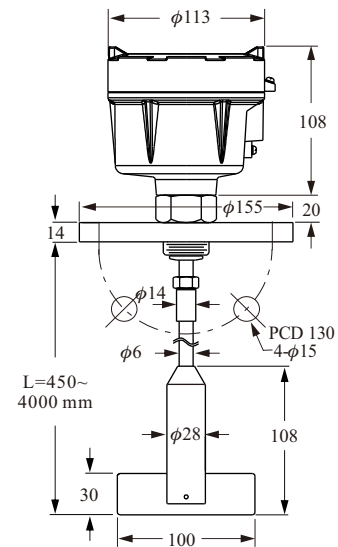
EXPLOSION PROOF HI-TEMP ADJUSTABLE SHAFT TYPE SE176 Series

- Vertical mounting
- Temp. (-20°C ~ 190°C)
- Special length is made by order

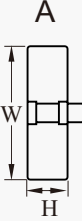
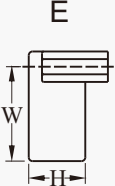
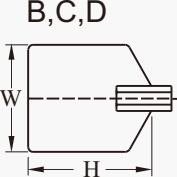
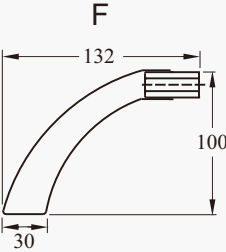


EXPLOSION PROOF CABLE WIRE TYPE SE177 Series

- Vertical mounting
- Temp. (-20°C ~ 70°C)
- Special length is made by order



■ Paddle Introduction

	<p>(A) 100x30 (WxH), Min. fixed hole diameter size φ90mm.</p>		<p>(E) 50x30 (WxH), Suitable for high S.G. raw materials. Use a small size paddle to decrease the impact of material falling directly on paddle.</p>
	<p>(B) 65x80 (WxH), Directly mounted into 2-1/2" fixed hole. (C) 65x120 (WxH), Directly mounted into 2-1/2" fixed hole. (D) 80x80 (WxH)</p>		<p>(F) Scimitar model paddle, Screw tightly on the 1" diameter fixed hole, It is easier to mount and dismount.</p>

MODEL NUMBER / ORDER CODE COMPARISON TABLE

Model Number	Order Code
SE170	SEX300□□-AA
SE171	
SE172	SEX300□□-AB
SE173	SEX300□□-AC
SE174	SEX302□□-AA
SE175	SEX302□□-AB
SE176	SEX302□□-AC
SE177	SEX300□□-AD

ACCESSORIES

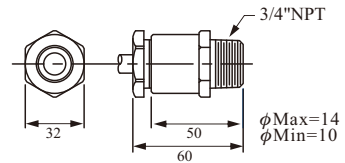
Cable Conduit - Ex d IIC

Material: Washer — NBR

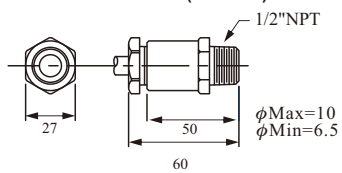
Body— Copper alloy(3/4"NPT)

Nickel plated(1/2"NPT)

HP415-A23100MH01(29-1104)



HP415-A23000MG01(29-1108)



New / Old paddle model comparison table

New	Figure	Dimension(WxH)	Old
B	 Rectangular shaped type	100x30	A
C	 Shovel shaped type	65x80	B
D		65x120	C
E		80x80	D
F	 Rectangular type, one sided	50x30	E
G	 Scimitar shaped type	132x100	F
H	 Hinged type	200x28	J
K	 Weights type	100x108	X

ORDER INFORMATION

SEX3 ⑤⑥ ⑦⑧ -A ⑩ ⑪ ⑫ ⑬ ⑭ ⑮ ⑯ ⑰ ⑱ ⑲ ⑳ ㉑ ㉒

⑤⑥ **Model**

- 00: Standard
- 02: Hi-temperature

⑦⑧ **Certification**

- 1C: ATEX-Exd
- 2C: IECEx-Exd
- 5C: TS-Exd
- 7C: NEPSI-Exd

⑩ **Construction**

- A: General type
- B: Shaft protective tube type
- C: Shaft length adjustable type
- D: Cable wire type

⑪ **Power supply**

- A: AC110V
- B: AC220V
- C: AC240V
- D: AC24V

Connection

⑫⑬

- Flange item
- AK: JIS-FF
- AN: ANSI-RF
- AS: DIN-FF

⑭⑮

- A8: 1"
- B1: 1-1/2"
- B2: 2"
- B4: 2-1/2"

⑯⑰

- 01: PT male
- 03: PF male
- 07: NPT male
- 40: 5 kg/cm²
- 42: 10 kg/cm²
- 48: 150 Lbs
- 49: 300 Lbs
- 57: PN10
- 58: PN16

⑱ **Paddle model**

- A: None
- B: 100x30(WxH)
- C: 65x80(WxH)
- F: 50x30(WxH)
- G: Scimitar type 132x100(WxH)
- K: 100x108(WxH)(Cable wire type only)

⑲⑳㉑㉒ **Length**

Code	Length range
0001~4000	0001~4000mm

MINI TYPE(ALUMINUM ALLOY COVER)

Housing cover code:
 0: Aluminum cover
 1: Aluminum cover with LED lamp

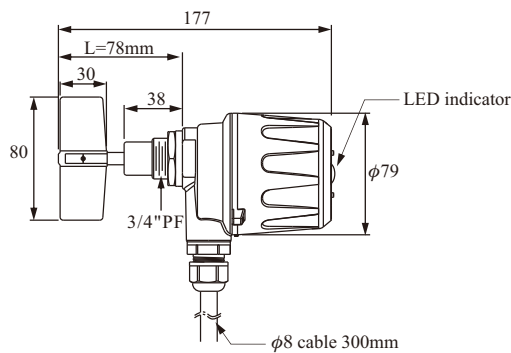
- **Power source** : (A)110Vac,(B)220Vac,(C)240Vac, (D)24Vac, 50/60Hz,(E)24Vdc
- **Power consumption** : 1.5W
- **Contact capacity** : 5A/250Vac, 5A/30Vdc
- **Rotary speed** : 1R.P.M.
- **IP rating** : IP65

- **Housing material** : Aluminum alloy
- **Ambient temperature** : -40°C ~ 85°C
- **Cable length** : 300mm (available for custom length)
- **Material density** : 0.3 g/cm³
- **Display status** : Green(Working), Red(Stopped)

STANDARD TYPE

SE38□0 Series

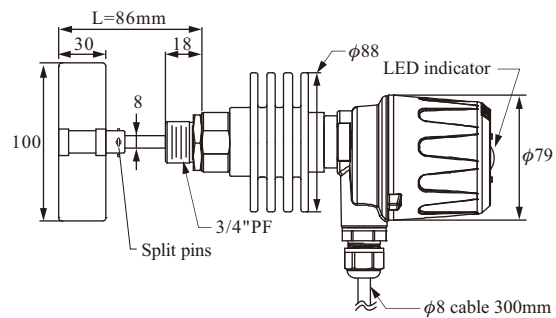
- Operation temperature: -40°C ~ 85°C
- Paddle material: PC



HIGH TEMPERATURE TYPE

SE38□4 Series

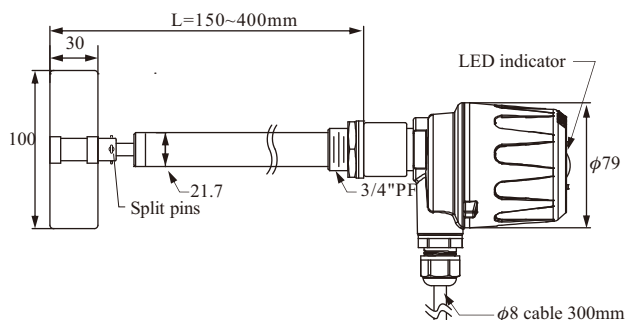
- Operation temperature: -40°C ~ 200°C
- Paddle material: SUS304



SHAFT PROTECTIVE TUBE TYPE

SE38□2 Series

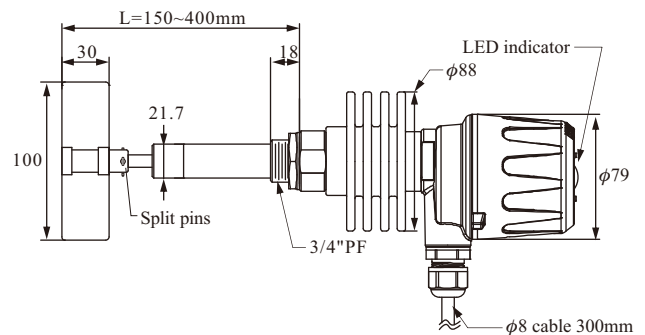
- Operation temperature: -40°C ~ 85°C
- Paddle material: SUS304



HIGH TEMPERATURE SHAFT PROTECTIVE TUBE TYPE

SE38□5 Series

- Operation temperature: -40°C ~ 200°C
- Paddle material: SUS304



MINI TYPE(EXPLOSION PROOF)

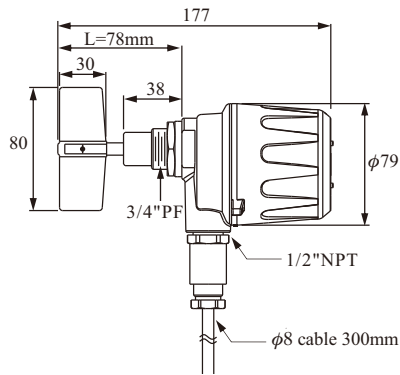
- **Power source** : (A)110Vac,(B)220Vac,(C)240Vac,
(D)24Vac, 50/60Hz,(E)24Vdc
- **Power consumption** : 1.5W
- **Contact capacity** : 5A/250Vac, 5A/30Vdc
- **Rotary speed** : 1R.P.M.
- **IP rating** : IP65

- **Housing material** : Aluminum alloy
- **Ambient temperature** : -40°C ~ 85°C
- **Cable length** : 300mm (available for custom length)
- **Material density** : 0.3 g/cm³

STANDARD TYPE

SE3700 Series

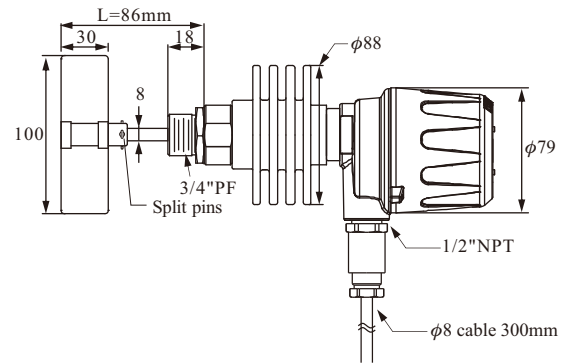
- Operation temperature: -40°C ~ 80°C
- Paddle material: PC



HIGH TEMPERATURE TYPE

SE3704 Series

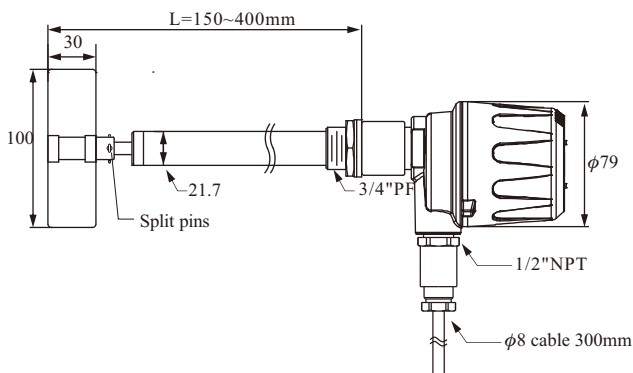
- Operation temperature: -40°C ~ 195°C
- Paddle material: SUS304



SHAFT PROTECTIVE TUBE TYPE

SE3702 Series

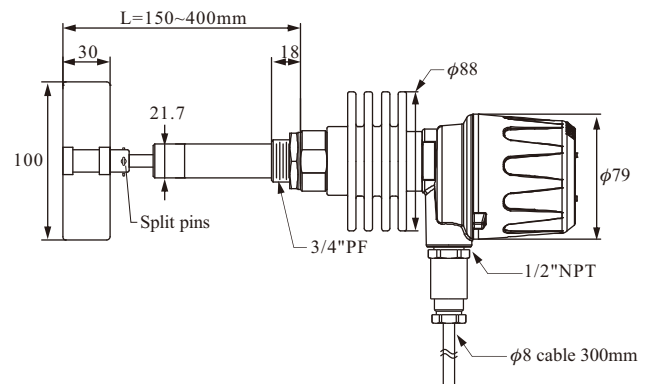
- Operation temperature: -40°C ~ 80°C
- Paddle material: SUS304



HIGH TEMPERATURE SHAFT PROTECTIVE TUBE TYPE

SE3705 Series

- Operation temperature: -40°C ~ 195°C
- Paddle material: SUS304



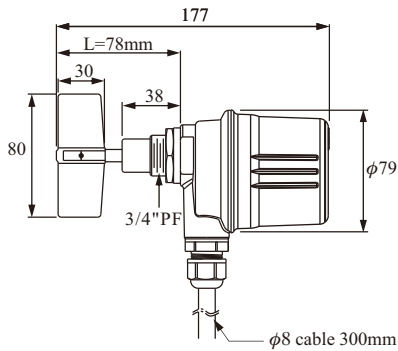
MINI TYPE(PLASTIC COVER)

- **Power source** : (A)110Vac,(B)220Vac,(C)240Vac,
(D)24Vac, 50/60Hz,(E)24Vdc
- **Power consumption** : 1.5W
- **Contact capacity** : 5A/250Vac, 5A/30Vdc
- **Rotary speed** : 1R.P.M.
- **IP rating** : IP65

- **Housing material** : Plastic cover
- **Ambient temperature** : -40°C ~ 85°C
- **Cable length** : 300mm (available for custom length)
- **Material density** : 0.3 g/cm³

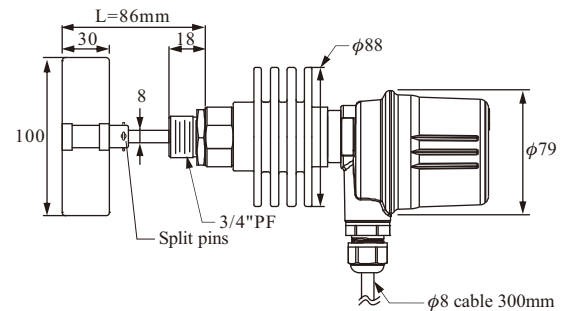
STANDARD TYPE SE3820 Series

- Operation temperature: -40°C ~ 85°C
- Paddle material: PC



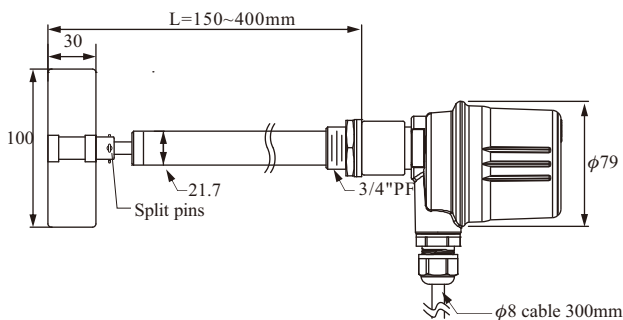
HIGH TEMPERATURE TYPE SE3824 Series

- Operation temperature: -40°C ~ 200°C
- Paddle material: SUS304



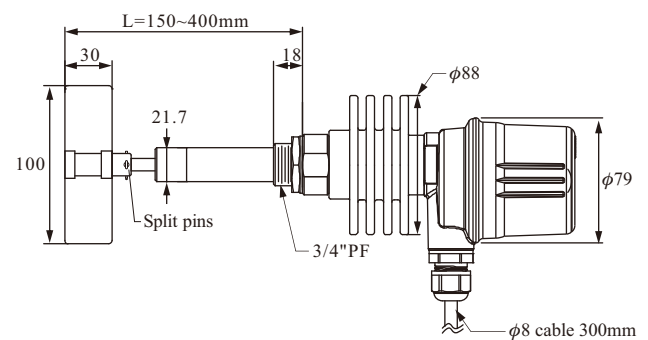
SHAFT PROTECTIVE TUBE TYPE SE3822 Series

- Operation temperature: -40°C ~ 85°C
- Paddle material: SUS304



HIGH TEMPERATURE SHAFT PROTECTIVE TUBE TYPE SE3825 Series

- Operation temperature: -40°C ~ 200°C
- Paddle material: SUS304

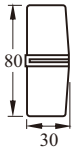
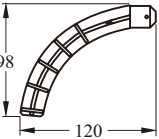
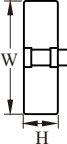
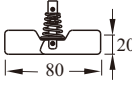


MODEL NUMBER / ORDER CODE COMPARISON TABLE

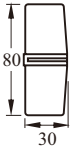
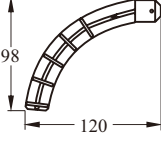
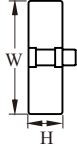
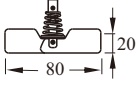
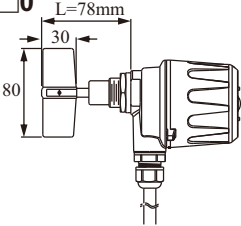
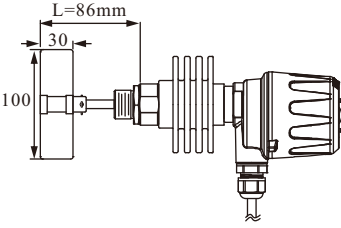
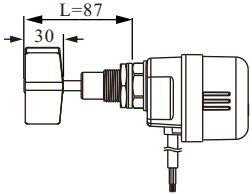
Model Number	Order Code
SE3700	SEX2007D-AA
SE3702	SEX2007D-AB
SE3704	SEX2027D-AA
SE3705	SEX2027D-AB
SE3800	SEX20000-AA
SE3810	SEX20000-BA
SE3820	SEX20000-CA
SE3802	SEX20000-AB

Model Number	Order Code
SE3812	SEX20000-BB
SE3822	SEX20000-CB
SE3804	SEX20200-AA
SE3814	SEX20200-BA
SE3824	SEX20200-CA
SE3805	SEX20200-AB
SE3815	SEX20200-BB
SE3825	SEX20200-CB

New / Old paddle model comparison table

New	Figure	Dimension(WxH)	Old
G	 <p>Cross bladed type</p>	80x30	G
H	 <p>Scimitar shaped type</p>	98x120	H
I	 <p>Rectangular shaped type</p>	100x30	I
K	 <p>Hinged type</p>	80x20	K

PROBE LENGTH LIST FOR MINI TYPE (WITH DIFFERENT PADDLES)

Appearance diagram				
Paddle model	Cross bladed type 80x30 (PC)	Scimitar shaped type 98x120 (PC)	Rectangular shaped type 100x30 (SUS)	Hinged type 80x20 (SUS)
SE38□0 	L=78	L=174	L=104	L=100
SE38□4 	Not suitable for high temperature (> 120°C) Stainless steel paddle suggested		L=86	L=82
SE290 	L=87	L=183	L=113	L=109

ORDER INFORMATION

SEX2 ⑤ ⑥ ⑦ ⑧ ⑨ ⑩ ⑪ ⑫ ⑬ ⑭ ⑮ ⑯ ⑰ ⑱ ⑲ ⑳ ㉑ ㉒ ㉓ ㉔ ㉕ ㉖

⑤⑥ **Model**
 00: Standard
 02: Hi-temperature

⑦⑧ **Certification**
 00: None
 7D: NEPSI-Exd
 (The housing select A:Alumium cover only)

⑨ **Housing**
 A: Aluminum cover
 B: Aluminum cover with LED lamp
 C: Plastic cover

⑩ **Construction**
 A: General type
 B: Shaft protective tube type

⑪ **Power supply**
 A: AC110V
 B: AC220V
 C: AC240V
 D: AC24V
 E: DC24V

Connection

⑫⑬
 Flange item
 AK: JIS-FF
 AN: ANSI-RF
 AS: DIN-FF

⑭⑮
 A7: 3/4"
 A8: 1"
 B1: 1-1/2"
 B2: 2"

⑯⑰
 01: PT male
 03: PF male
 07: NPT male
 40: 5 kg/cm²
 42: 10 kg/cm²
 48: 150 Lbs
 49: 300 Lbs
 57: PN10
 58: PN16

(Next page)

ORDER INFORMATION

SEX2 ⁰⁵ ⁰⁶ ⁰⁷ ⁰⁸ ⁰⁹ ¹⁰ ¹¹ ¹² ¹³ ¹⁴ ¹⁵ ¹⁶ ¹⁷ ¹⁸ ¹⁹ ²⁰ ²¹ ²² ²³ ²⁴ ²⁵ ²⁶

¹⁸ **Paddle model**

- A: None
- G: PC; Cross type
- H: PC; Scimitar type 120x98(WxH)
- I : SUS; 100x30(WxH)
- K: SUS; Folding type 80x20(WxH)

¹⁹ ²⁰ ²¹ ²² **Length**

Code	Length range
0001~400	0001~400mm

²³ ²⁴ ²⁵ ²⁶ **Cable wire length**

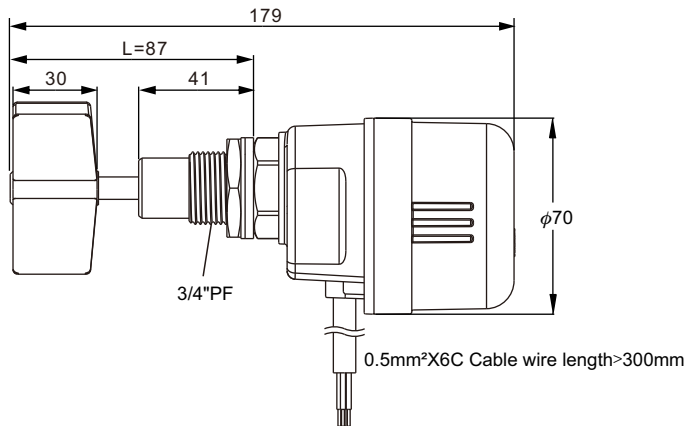
Code	Length range
0300~5000	0300~5000mm

MINI TYPE(ECONOMY)

- **Power source** : (A)110Vac,(B)220Vac,
(D)24Vac, 50/60Hz
- **Power consumption** : 1.5W
- **Contact capacity** : 3A/250Vac, 3A/30Vdc
- **Rotary speed** : 1R.P.M.
- **IP rating** : IP65
- **Housing material** : Plastic cover
- **Ambient temperature** : -20°C ~ 80°C
- **Cable length** : 300mm (available for custom length)
- **Material density** : 0.3 g/cm³

STANDARD SE290 A/B/D

- Operation temperature: -20°C ~ 80°C
- Paddle material: PC



MODEL NUMBER / ORDER CODE COMPARISON TABLE

Model Number	Order Code
SE290A	SEX40000-CAA
SE290B	SEX40000-CAB
SE290C	SEX40000-CAC
SE290D	SEX40000-CAD

ORDER INFORMATION

SEX4 0 0 0 0 - CA ⑪ ⑫ ⑬ ⑭ ⑮ ⑯ ⑰ ⑱ ⑲ ⑳ ㉑ ㉒

⑪ Power supply

- A: AC110V
- B: AC220V
- D: AC24V

Connection

⑫ ⑬

- Flange item
- AK: JIS-FF
- AN: ANSI-RF
- AS: DIN-FF

⑭ ⑮

- A7: 3/4"
- A8: 1"
- B1: 1-1/2"
- B2: 2"

⑯ ⑰

- 01: PT male
- 03: PF male
- 07: NPT male
- 40: 5 kg/cm²
- 42: 10 kg/cm²
- 48: 150 Lbs
- 49: 300 Lbs
- 57: PN10
- 58: PN16

⑱ Paddle model

- A: None
- G: PC; Cross type
- H: PC; Scimitar type 120x98(WxH)
- I: SUS; 100x30(WxH)
- K: SUS; Folding type 80x20(WxH)

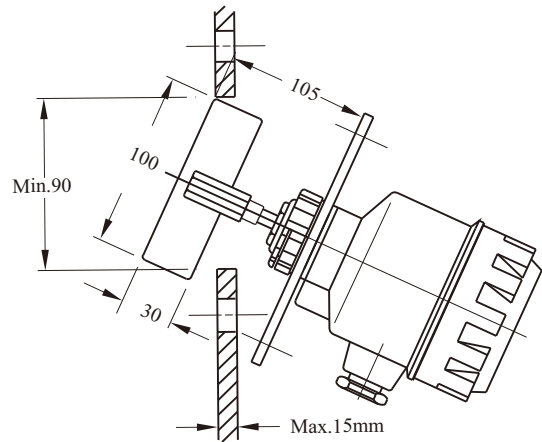
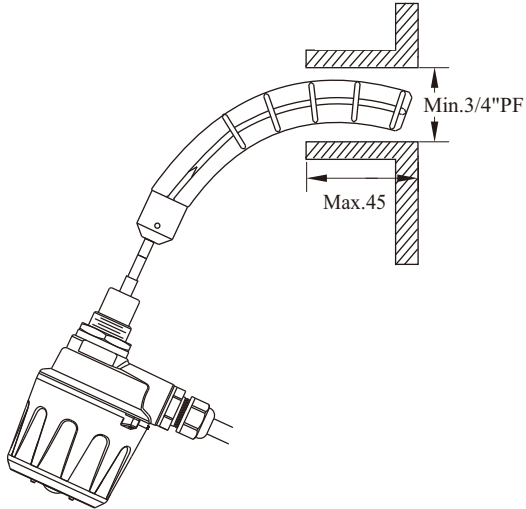
⑲ ⑳ ㉑ ㉒ Cable wire length

Code	Length range
0300~5000	0300~5000mm

MOUNTING EXAMPLES

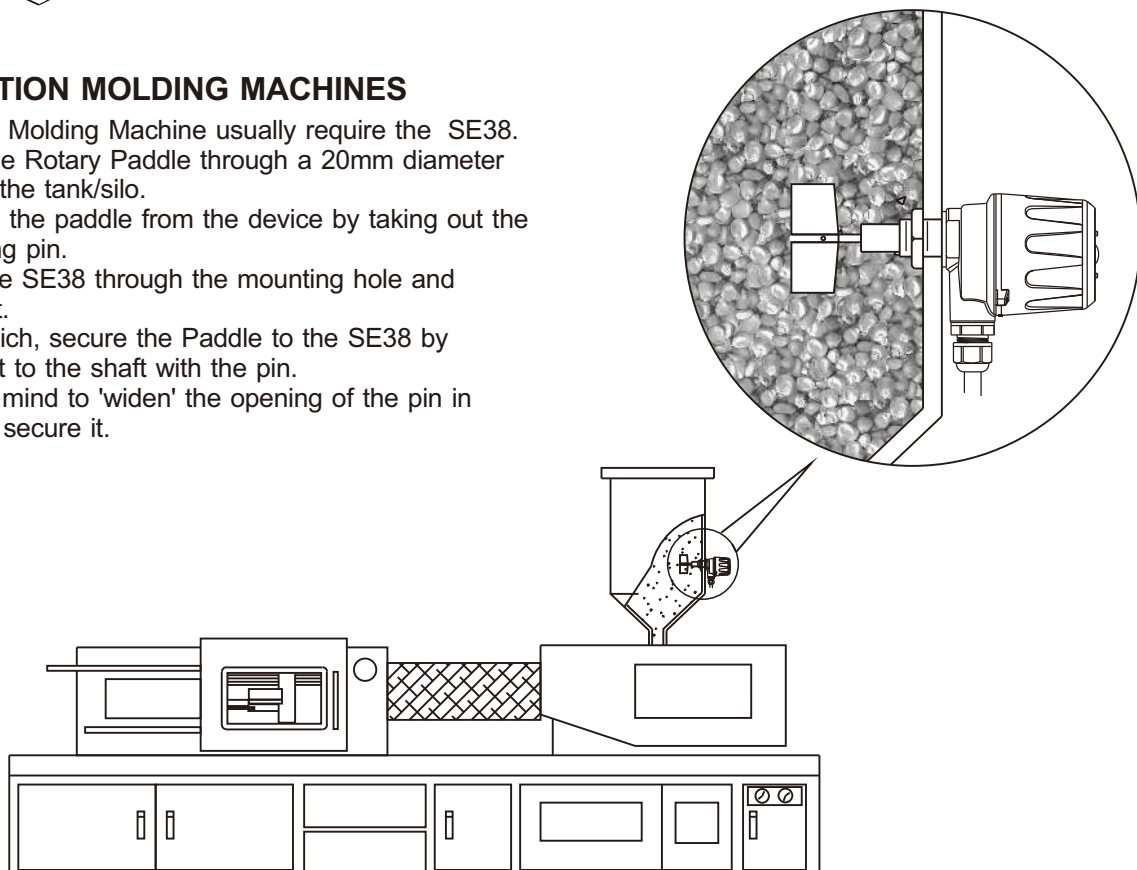
Regular models such as the SE11 should be installed directly on the tank side. Mount at a 35° angle the blade through the tank opening or hole sliding the blade in first.

* The SE170 series minimum hole size should be 95mm in diameter. The scimitar model is directly installed on the tank wall method as shown below. (Assuming an arc-shaped tank with a 3/4" connection) and then screwing it tight.

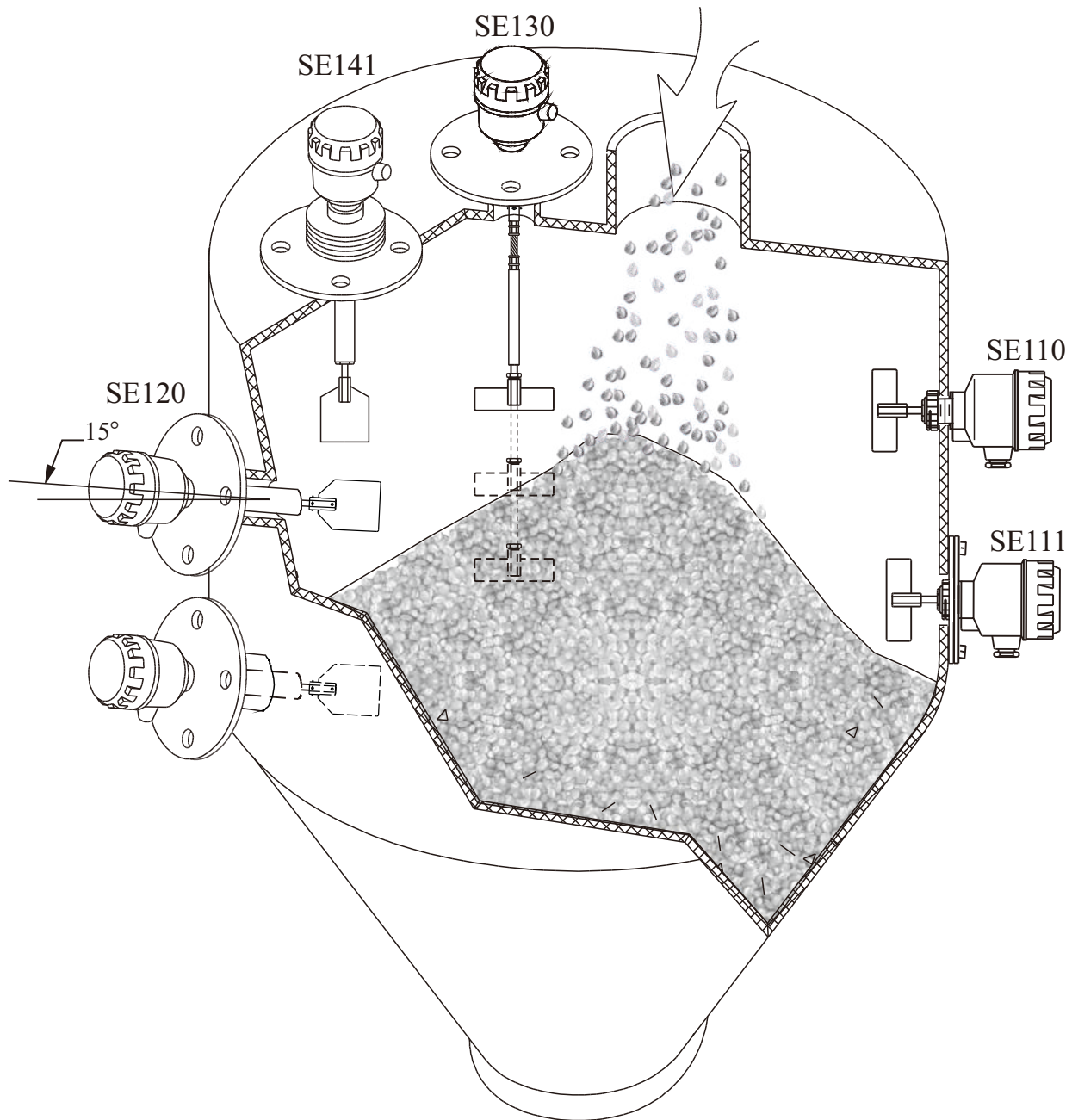


INJECTION MOLDING MACHINES

Injection Molding Machine usually require the SE38. Install the Rotary Paddle through a 20mm diameter hole on the tank/silo. Remove the paddle from the device by taking out the fastening pin. Insert the SE38 through the mounting hole and tighten it. After which, secure the Paddle to the SE38 by locking it to the shaft with the pin. Keep in mind to 'widen' the opening of the pin in order to secure it.



EXAMPLES



INSTALLATION NOTICES

1. Side mount the sensor at a downward angle of 15° ~ 20° to decrease the material inflow impact.
2. For high temperature application (more than 70°C), please use the SE14□ Series.
3. For SE110~SE140 using a 1" inlet, please apply the scimitar model and screw directly.
4. For SE130, SE146 series have flexible and extendible shafts.
5. Please ensure the lead wire enters the housing from the bottom and the nuts are fastened to secure the device.

Global Network



■ Head Quarte

● Taiwan

FineTek Co., Ltd. - Taipei Head Quarter 
 No.16, Tzuchiang St., Tucheng Industrial Park
 New Taipei City 236, Taiwan
 TEL: 886-2-2269-6789
 FAX: 886-2-2268-6682
 EMAIL: info@fine-tek.com

■ North America

● California, U.S.

Aplus Finetek Sensor Inc. - US Office
 355 S. Lemon Ave, Suite D, Walnut,
 CA 91789
 TEL: 1 909 598 2488
 FAX: 1 909 598 3188
 EMAIL: info@aplusfine.com


■ Europe

● Germany

FineTek GmbH - Germany Office
 Bei den Kämpen 26
 21220 Seevetal-Ramelsloh, Germany
 TEL: +49-(0)4185-8083-12
 FAX: +49-(0)4185-8083-80
 EMAIL: info@fine-tek.de

■ Asia

● China

Fine automation Co., Ltd. - Shanghai Factory 
 No.451 DuHui Rd, MinHang District, Shanghai,
 China 201109
 TEL: 86-21-6490-7260
 EMAIL: info.sh@fine-tek.com

● Singapore

FineTek Pte Ltd. - Singapore Office
 37 Kaki Bukit Place, Level 4 Singapore 416215
 TEL: 65-6452-6340
 EMAIL: info.sg@fine-tek.com

● Indonesia

PT. FineTek Automation Indonesia - Indonesia Office 
 PERGUDANGAN TUNAS BITUNG
 Jl. Raya Serang KM. 13,8, Blok C3 No. 12&15, Bitung Cikupa,
 Tangerang 15710
 TEL: 62 (021)-2958-1688
 EMAIL: info.id@fine-tek.com

● Müttec Instruments GmbH - Germany Office

Bei den Kämpen 26
 21220 Seevetal-Ramelsloh, Germany
 TEL: +49-(0)4185-8083-0
 FAX: +49-(0)4185-8083-80
 EMAIL: muetec@muetec.de



Distributor: