



ENAPART



93 S Railroad Avenue Unit C
Bergenfield NJ 07621 USA
www.enapart.com
sales@enapart.com



Via del Canneto 35,
Borgosatollo, Brescia - Italia
www.enapart.it
vendite@enapart.it



Barbaros Mah. Ihlamur Bul. Aĝaoĝlu
My Newwork No:3/15 Ataşehir / İstanbul
www.enapart.net
satis@enapart.net



PRIVADA 10 B SUR #3908 COL.
ANZUREZ, C.P. 72530, PUEBLA, PUE
www.enapart.com.mx
sales@enapart.com.mx



Friedrich-Ebert-Anlage 36, 60325
Frankfurt am Main, Germany
www.enapart.de
anfrage@enapart.de



4 boulevard Carnot, 95400
villiers-le-bel, Paris, France
www.enapart.fr
sales@enapart.fr



65049, ОДЕСА, ВУЛИЦЯ ІВАНА
ФРАНКА, БУДИНОК 55, ПОВЕРХ 3
www.enapart.com.ua
sales@enapart.com.ua



MUNICIPIUL BUCUREȘTI, SECTOR 3,
B-DUL BASARABIA, NR.250, CORP P+5
www.enapart.ro
sales@enapart.ro



〒584-0023 大阪府富田林市若松町
東2丁目2番16号
www.enapart.co.jp
sales@enapart.co.jp



PLAZA NUESTRA SEÑORA DE LAS
NIEVES 12 ,LOCAL ,50012,ZARAGOZA
www.enapart.es
ventas@enapart.es

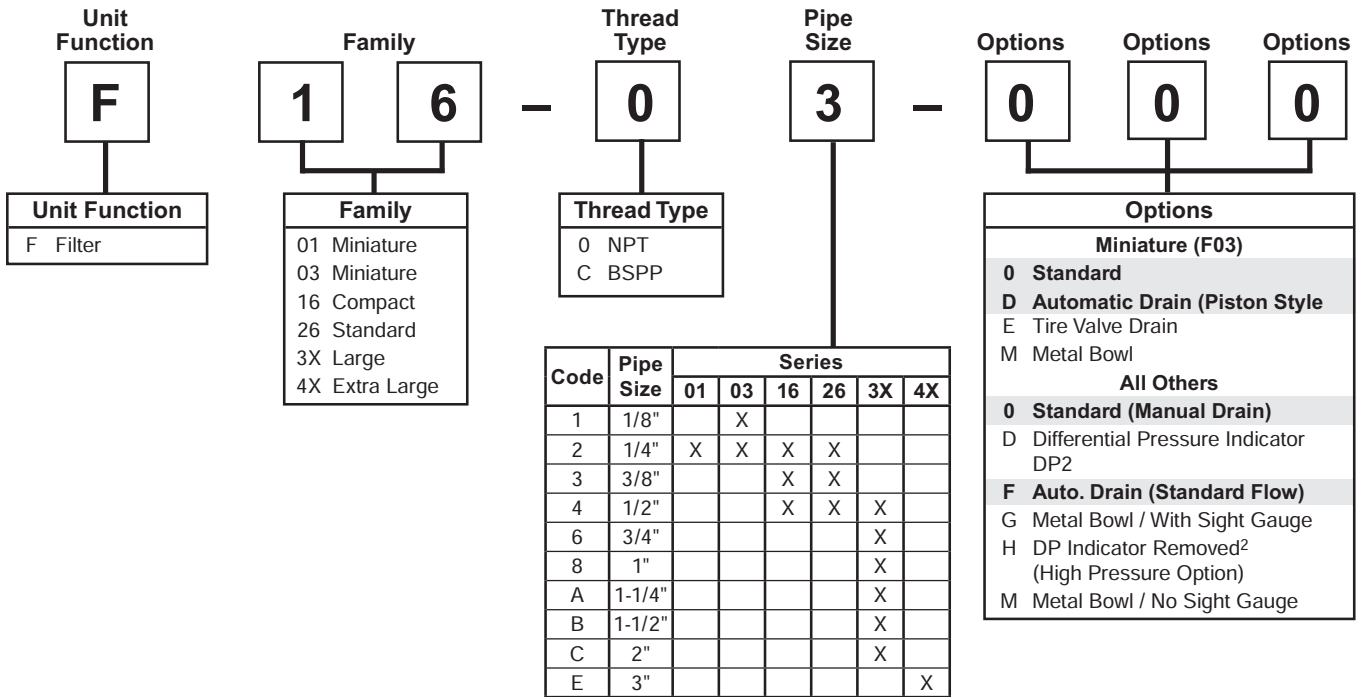


Складова база „Онгъл“, Склад А2, п.к.
4006, гр. Пловдив, България
www.enapart.bg
sales@enapart.bg



3 Austin Mews, High Street, Hemel
Hempstead, HP1 3AF , United Kingdom
www.enapart.co.uk
sales@enapart.co.uk

Particulate Filter Numbering System = "Most Popular"



¹ Ports on some units are BSPP-G, others are BSPT-Rc. Consult specific model page for specifications.

² Models F35, F36, F37 & F43.

"F" Series Filters, Type "A" 5 micron elements: All Wilkerson Type "A" micron elements meet or exceed ISO Class 3 for maximum particle size and concentration of solid contaminants.

NOTE: All classes above refer to International Standards Organization (ISO) standard 8573-1, pertaining to maximum particle size and concentration of solid contaminants, and maximum oil content.

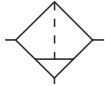
If more than one option is desired, arrange them in alphabetical order in positions 6, 7, and 8.

NOTE: 000 in position 6, 7, and 8 signifies standard product.

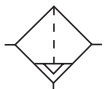
Particulate Filter

 = "Most Popular"

F30



Manual Drain



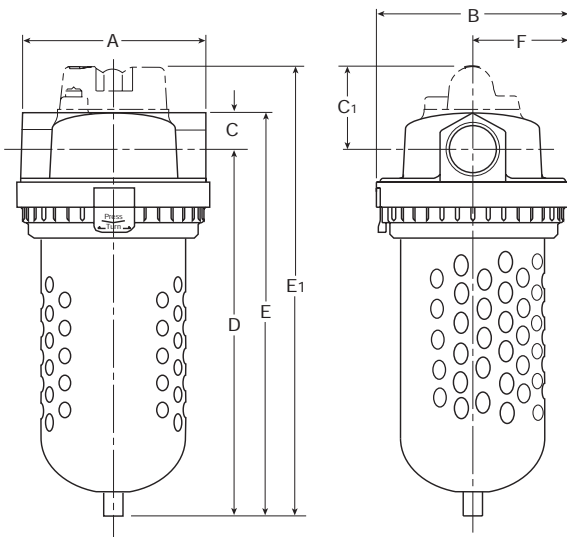
Auto Drain



F30-06-000

Features

- Standard Manual Drain
- Standard 5 Micron Rated Element
- Quick-disconnect Clamp Ring for Easy Bowl Removal
- Bowl Guard



Dimensions

Models	Inches (mm)	A	B	C	C ₁	D	E	E ₁	F
Standard Unit F30-XX-000		4.61 (117)	4.80 (122)	.94 (24)	—	8.96 (228)	9.90 (251)	—	2.40 (61)
Differential Pressure Indicator F30-XX-D00		4.61 (117)	4.80 (122)	.94 (24)	1.77 (44.9)	8.96 (228)	9.90 (251)	10.73 (272.5)	2.40 (61)
Automatic Drain F30-XX-F00		4.61 (117)	4.80 (122)	.94 (24)	—	8.96 (228)	10.04 (255)	—	2.40 (61)
Metal Bowl F30-XX-M00		4.61 (117)	4.80 (122)	.94 (24)	—	8.96 (228)	10.00 (254)	—	2.40 (61)
Metal Bowl with Sight Gauge F30-XX-G00		4.61 (117)	4.80 (122)	.94 (24)	—	8.96 (228)	9.90 (251)	—	2.40 (61)

Specifications

Flow Capacity*	3/4	316 SCFM (149.1 dm ³ /s)
	1	323 SCFM (152.4 dm ³ /s)
Maximum Supply Pressure	Plastic Bowl	150 PSIG (10.3 bar)
	Metal Bowl	200 PSIG (13.8 bar)
Operating Temperature	Plastic Bowl	32° to 125°F (0° to 52°C)
	Metal Bowl	32° to 150°F (0° to 65.5°C)
Port Size	NPT / BSPP-G	3/4, 1
Standard Filtration	5 Micron	
Weight	5.5 lb. (2.5 kg)	

* Inlet pressure 150 PSIG (10.3 bar). Pressure drop 5 PSID (0.3 bar).

"F" Series Filters, Type "A" 5 micron elements: All Wilkerson Type "A" 5 micron elements **meet or exceed** ISO Class 3 for maximum particle size and concentration of solid contaminants.

Materials of Construction

Baffle	Acetal	
Body	Zinc	
Bowls	Plastic Bowl	Polycarbonate
	Metal Bowl	Zinc
Deflector	Aluminum	
Element Retainer	Steel Stud	
Filter Element	Polyethylene	
Seals	Plastic Bowl	Nitrile
	Metal Bowl	Fluorocarbon
Sight Gauge	Metal Bowl	Tempered Glass

= "Most Popular"

Replacement Bowl Kits

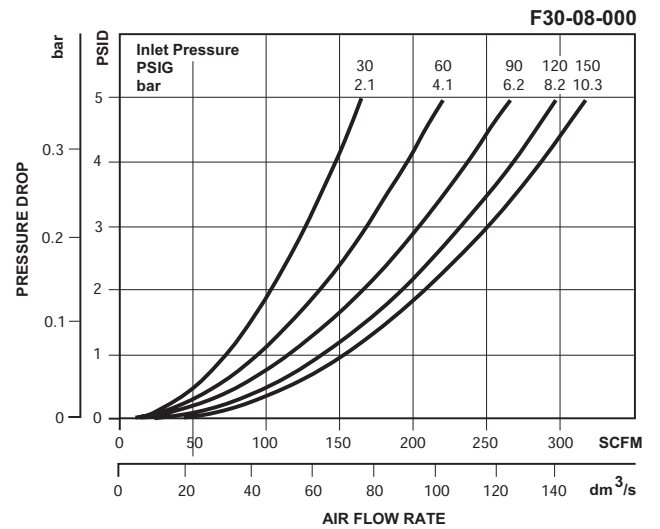
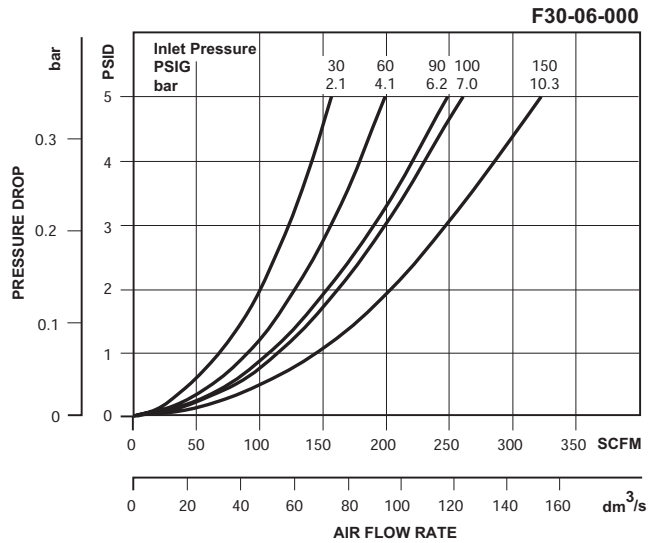
- Metal Bowl –
 Automatic Drain GRP-95-970
 Sight Gauge, Manual Drain GRP-95-676
 Manual Drain FRP-95-593
- Plastic Bowl–
 Bowl Guard, Automatic Drain FRP-95-775
 Bowl Guard, Manual Drain FRP-95-832
 Manual Drain FRP-96-315

Replacement Element Kits

- Type "A", 5 Micron FRP-95-209

Accessories

- Automatic Drain, Nitrile GRP-95-973
 Manual Drain FRP-95-610
 Sight Gauge Kit FRP-95-771



Ordering Information

Model Type	Port Size	Polycarbonate Bowl / Bowl Guard	Metal Bowl	Metal Bowl / Sight Gauge	Polycarbonate Bowl / Bowl Guard / Differential Pressure Indicator
Manual Drain	3/4	F30-06-000	F30-06-M00	F30-06-G00	F30-06-D00
	1	F30-08-000	F30-08-M00	F30-08-G00	F30-08-D00
Automatic Drain	3/4	F30-06-F00	F30-06-FM0	F30-06-FG0	F30-06-DF0
	1	F30-08-F00	F30-08-FM0	F30-08-FG0	F30-08-DF0

Options - To order an option supplied with the unit model, add the appropriate coded suffix letter in the designated position of the model number.

B